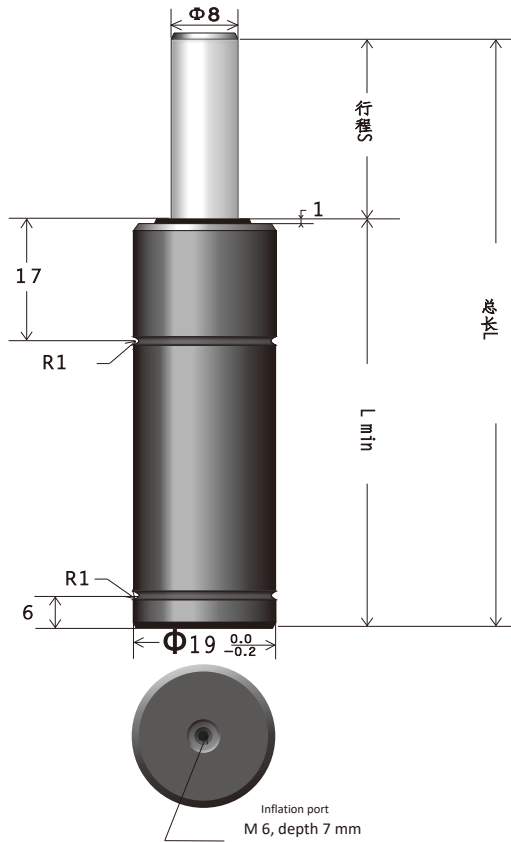


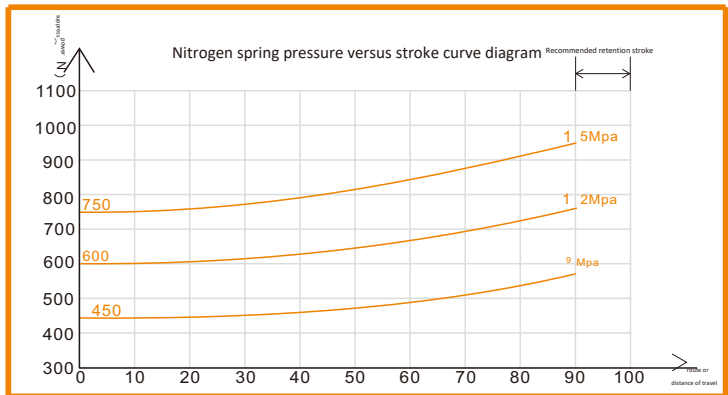
ISO International Standard for Micro Nitrogen Springs and General Purpose Products of the R1 Series



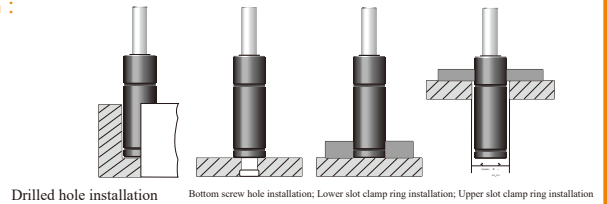
Basic Technical Parameters

Nominal burst pressure: 750 N
 Maximum inflation pressure: ...18 MPa
 Minimum inflation pressure: ..2.5 MPa
 Maximum operating speed: ≤ 1.2 m/s

Working medium: Nitrogen (N₂)
 Operating temperature range: -20°C to +80°C;
 Temperature-pressure change rate per unit: ± 0.3%/°C;
 Recommended operating frequency: 6-80 cycles/min



Method of erection :



Specifications and models	Total journey length: L Min		
★ BKB0.75-007-056	7	56	49
BKB0.75-010-062	10	62	52
BKB0.75-013-068	13	68	55
BKB0.75-015-072	15	72	57
BKB0.75-025-092	25	92	67
BKB0.75-038-118	38	118	80
BKB0.75-050-142	50	142	92
BKB0.75-063-172	63.5	172	109
BKB0.75-080-205	80	205	125
BKB0.75-100-245	100	245	145
BKB0.75-125-295	125	295	170

Note: Models marked with "★" are infrequently used or non-standard products. Please select them when ordering.